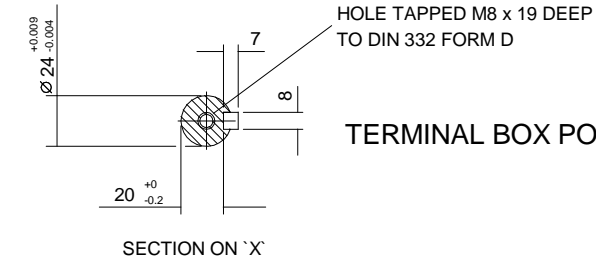
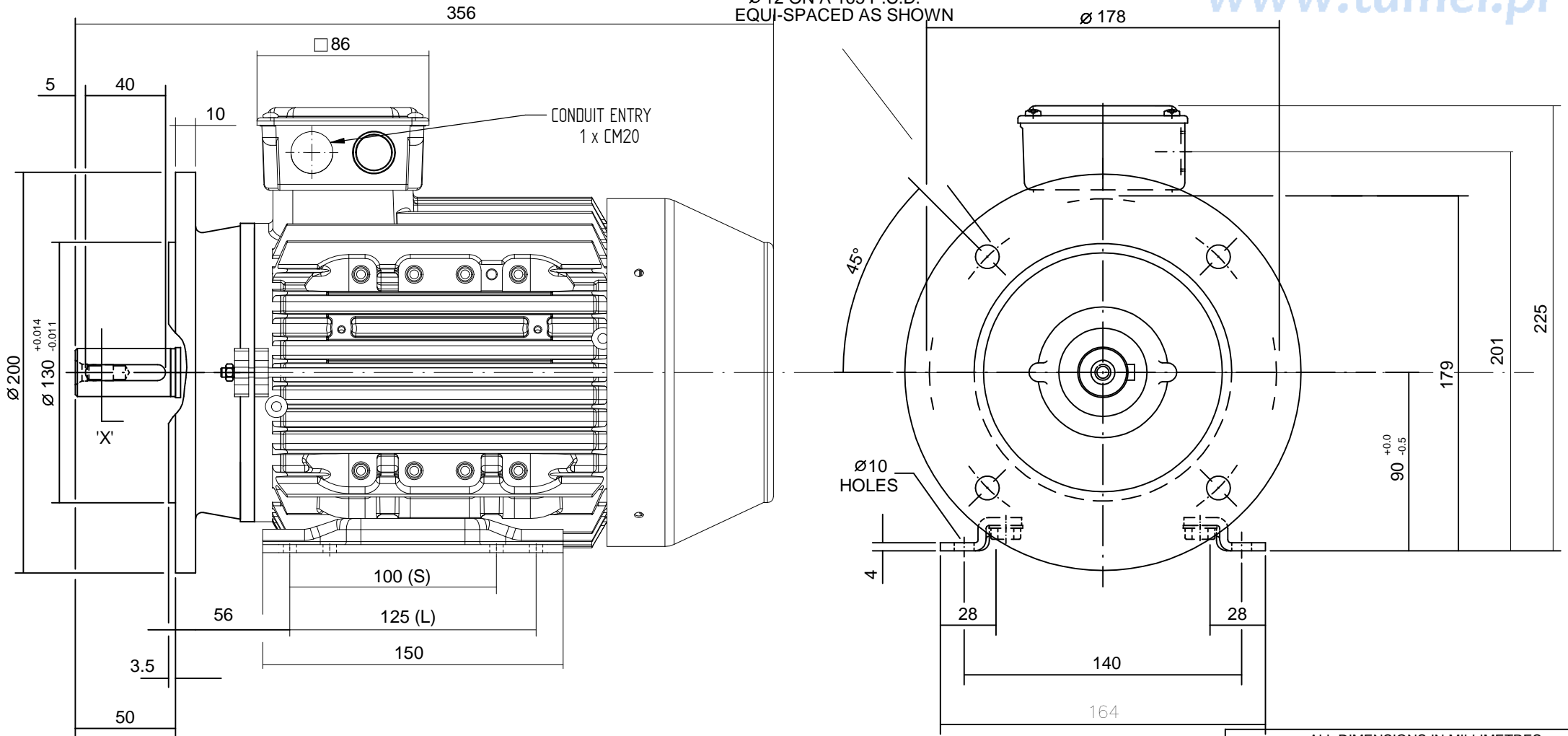


4 HOLES DRILLED
 Ø 12 ON A 165 P.C.D.
 EQUI-SPACED AS SHOWN



TERMINAL BOX POSITION : - CAN BE ARRANGED AT EITHER 9, 12 OR 3 O'CLOCK BY MOVING FEET.
 STANDARD TERMINAL BOX POSITION IS 12 O'CLOCK AS SHOWN.
 CONDUIT ENTRIES:- TERMINAL BOX CAN BE ROTATED AT 90° INTERVALS
 (CONDUIT ENTRY POSITION SHOWN FOR ILLUSTRATION ONLY).

ALL DIMENSIONS IN MILLIMETRES

FIRST ANGLE PROJECTION

BROOK CROMPTON

Produced by **Tamel S.A.** a company of **ATB** Technology in Motion

SHEET SIZE A3	TITLE OUTLINE DIMENSION DRAWING W ALUMINIUM TOTALLY ENCLOSED FAN COOLED 90S/L_X FRAME FOOT AND D FLANGE MOUNTED MOTOR	NAME	DATE	DRG. No.	Q90GD00010		
		DRAWN	JM	09-08-10	DRG. REF.		
		CHECKED	KC	09-08-10	REVISION:	DATE	
		SCALE	N.T.S.				